

MWPS-73260

15,000 Bu. Gable Grain Storage

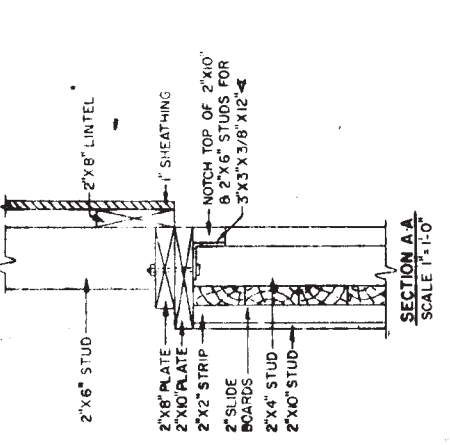
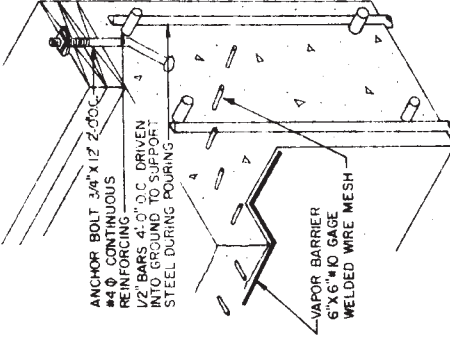
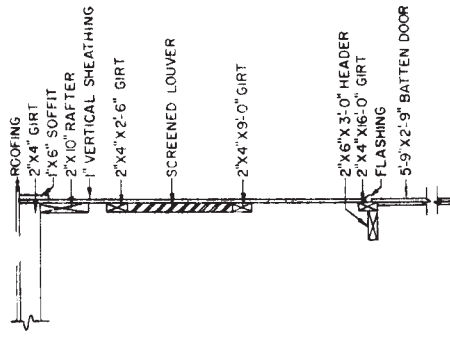
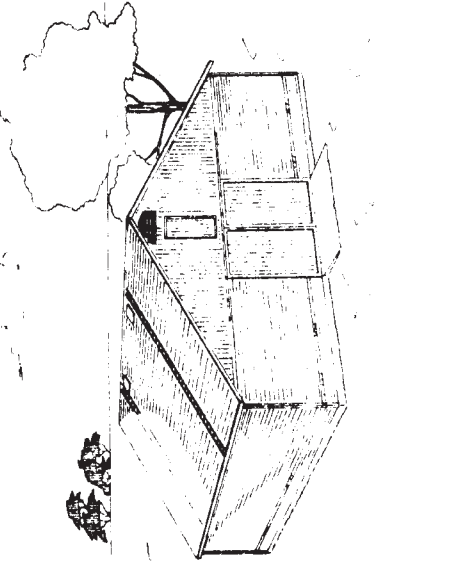
CAUTION!

Additional professional services will be required to tailor this plan to your situation, including but not limited to: assurance of compliance with codes and regulations; review of specifications for materials and equipment; supervision of site selection, bid letting and construction; and provision for utilities, waste management, roads or other access. **Furthermore, any deviation from the given specifications may result in structural failure, property damage, and personal injury including loss of life.**

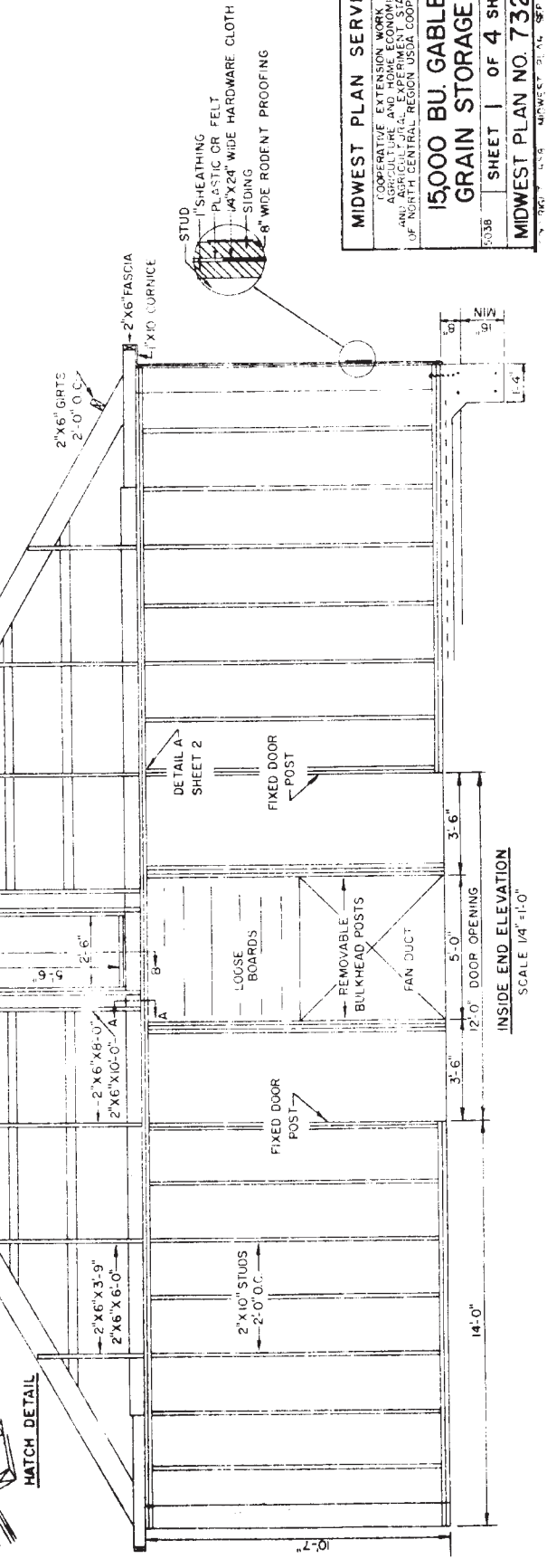
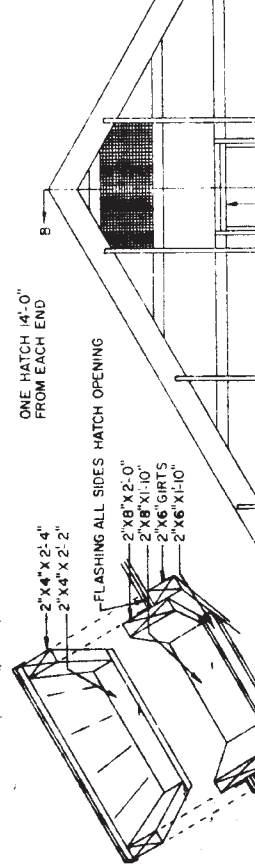
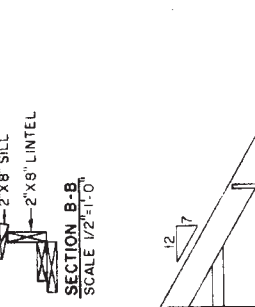
WARRANTY DISCLAIMER

This plan provides conceptual information only. **Neither midwest plan service nor any of the cooperating land-grant universities, or their respective agents or employees, have made, and do not hereby make, any representation, warranty or covenant with respect to the specifications in this plan.** Additional professional services will be required to tailor this plan to your situation, including but not limited to: assurance of compliance with codes and regulations; review of specifications for materials and equipment; supervision of site selection, bid letting and construction; and provision for utilities, waste management, roads or other access.

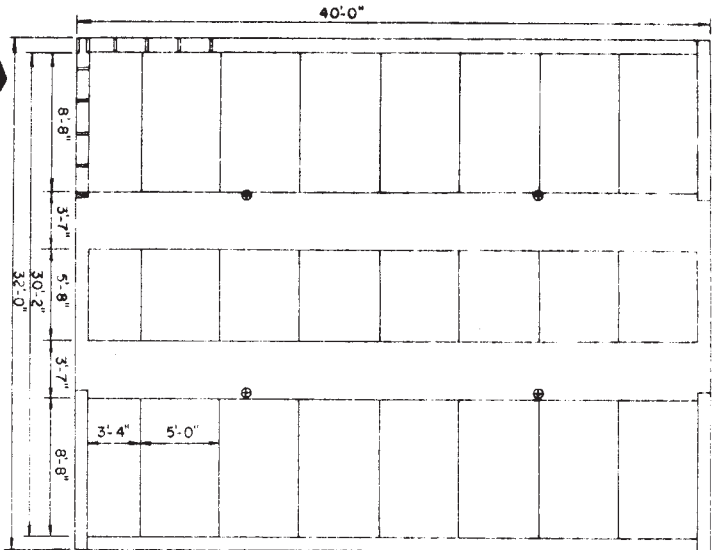
MIDWEST PLAN SERVICE
Cooperative Extension Work in Agriculture and Home Economics and Agricultural Experiment Stations of North Central Region - USDA Cooperating
15,000 Bu. Gable Grain Storage
Title Page
MIDWEST PLAN NO. 73260



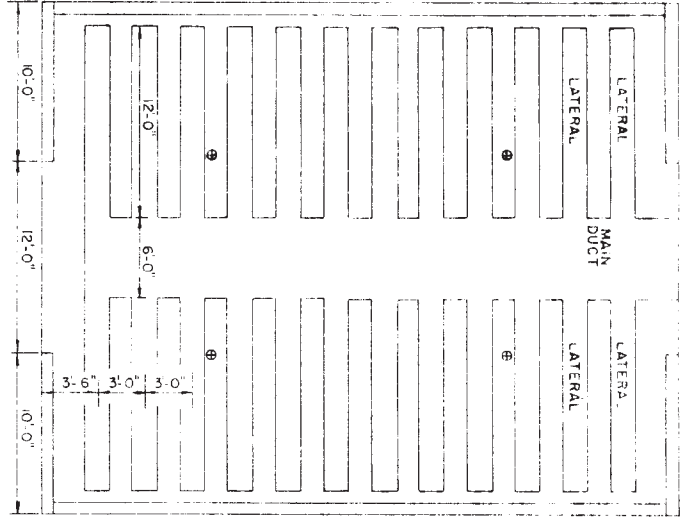
NOTES
IN AREAS WHERE FROST HEAVINESS IS KNOWN TO BE PREVALENT, EXTENDED FOUNDATION BEAMS SHALL BE USED.
PLUMBER'S STRAP TRACES AND BOARD SHEATHING MAY BE REPLACED WITH 2"x2" PLUMBER'S STRAP TRACES IF 1/2" BOARD HORIZONTAL SPACING IS USED.
ROOFING: ALL TYPES OF SHEATHING ARE PERMITTED.
ROOF DRAINAGE: SCREEN ALL OPENINGS AGAINST LEAKS. FOR ROOF DRAINAGE, USE 1/2" SCREEN AND 1/2" GUTTERS. PROVIDE 1/2" GUTTERS AND 1/2" DOWNPIPES. PROVIDE 1/2" GUTTERS AND 1/2" DOWNPIPES. PROVIDE 1/2" GUTTERS AND 1/2" DOWNPIPES.
WIND PROTECTION: WIND PROTECTION SHALL BE PROVIDED BY 1/2" SHEATHING. PROVIDE 1/2" SHEATHING. PROVIDE 1/2" SHEATHING.
FLOORING: FLOORING SHALL BE PROVIDED BY 1/2" SHEATHING. PROVIDE 1/2" SHEATHING. PROVIDE 1/2" SHEATHING.



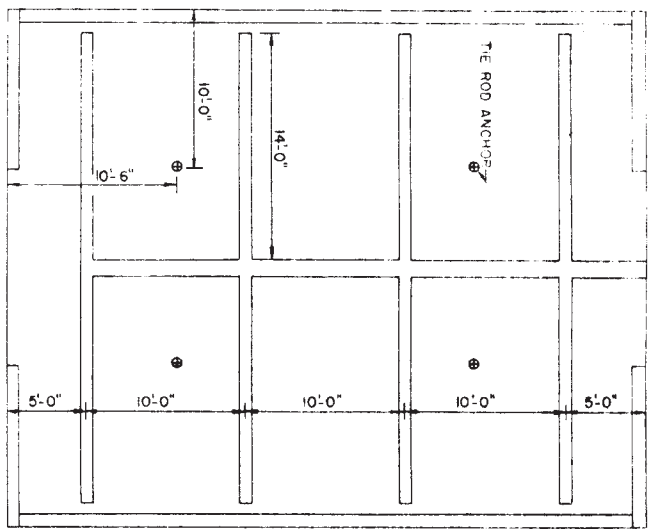
MIDWEST PLAN SERVICE	
COOPERATIVE EXTENSION WORK IN AGRICULTURE AND MECHANICAL ENGINEERING AND AGRICULTURAL EXPERIMENT STATIONS OF NORTH CENTRAL REGION USDA COOPERATING	
15,000 BU. GABLE GRAIN STORAGE	
5038	SHEET 1 OF 4 SHEETS
MIDWEST PLAN NO. 73260	



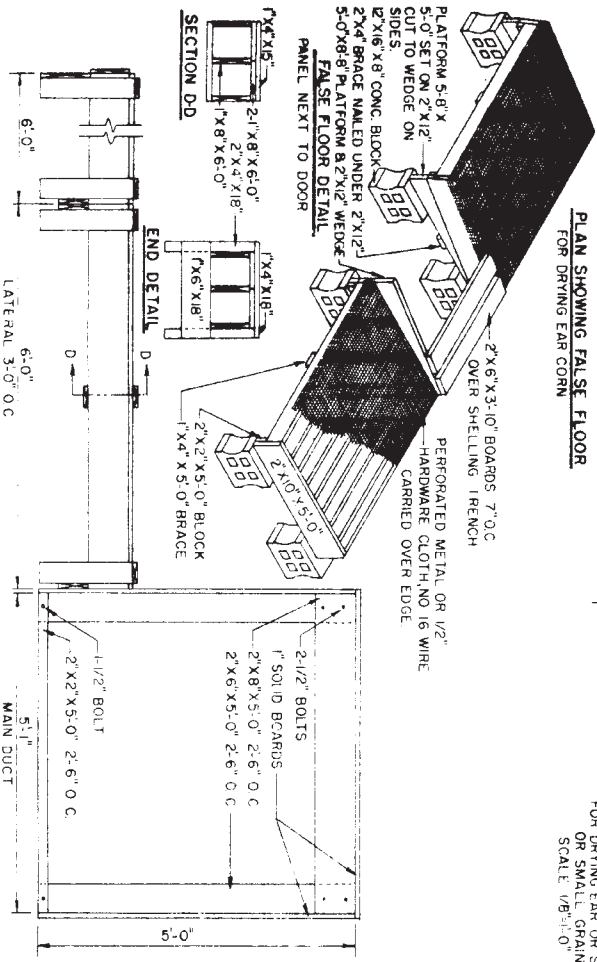
PLAN SHOWING FALSE FLOOR FOR DRYING EAR CORN



PLAN SHOWING DRYING DUCTS FOR DRYING EAR OR SHELLED CORN. SCALE 1/8"=1'-0"



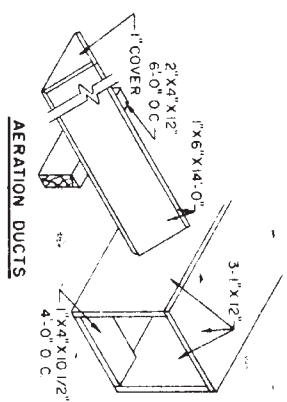
PLAN SHOWING AERATION DUCTS IF OTHER DRYING IS NOT INSTALLED



DRIVING DUCTS SCALE 1/2"=1'-0"

FAN REQUIREMENTS
UNHEATED AIR, 10,000 BU.

GRAIN	DEPTH	AIR PRESS.	APPROX.
DEPTH	F.T.	IN. WATER	A.T.
20	4	1.2	5
18	4	2.4	15
16	4	0.6	3
16	8	2.5	15
16	8	1.3	5
16	16	2.6	7 1/2
16	24	2.6	7 1/2
16	32	0.8	5
16	32	1.7	10
16	32	1.1	5
16	32	1.0	10
16	32	1.4	7 1/2
16	32	2.0	10
16	32	0.7	5
16	32	0.7	10
16	32	0.5	1 1/2



MIDWEST PLAN SERVICE
 COOPERATIVE EXTENSION WORK IN
 AGRICULTURE AND HOME ECONOMICS
 AND AGRICULTURAL EXPERIMENT STATIONS
 OF NORTH CENTRAL REGION, USDA COOPERATING

5028 SHEET 3 OF 4 SHEETS
 MIDWEST PLAN NO. 73258
 DRAWING 258 MIDWEST PLAN SERVICE