

MWPS-73282

Double Corn Crib 11' Alley

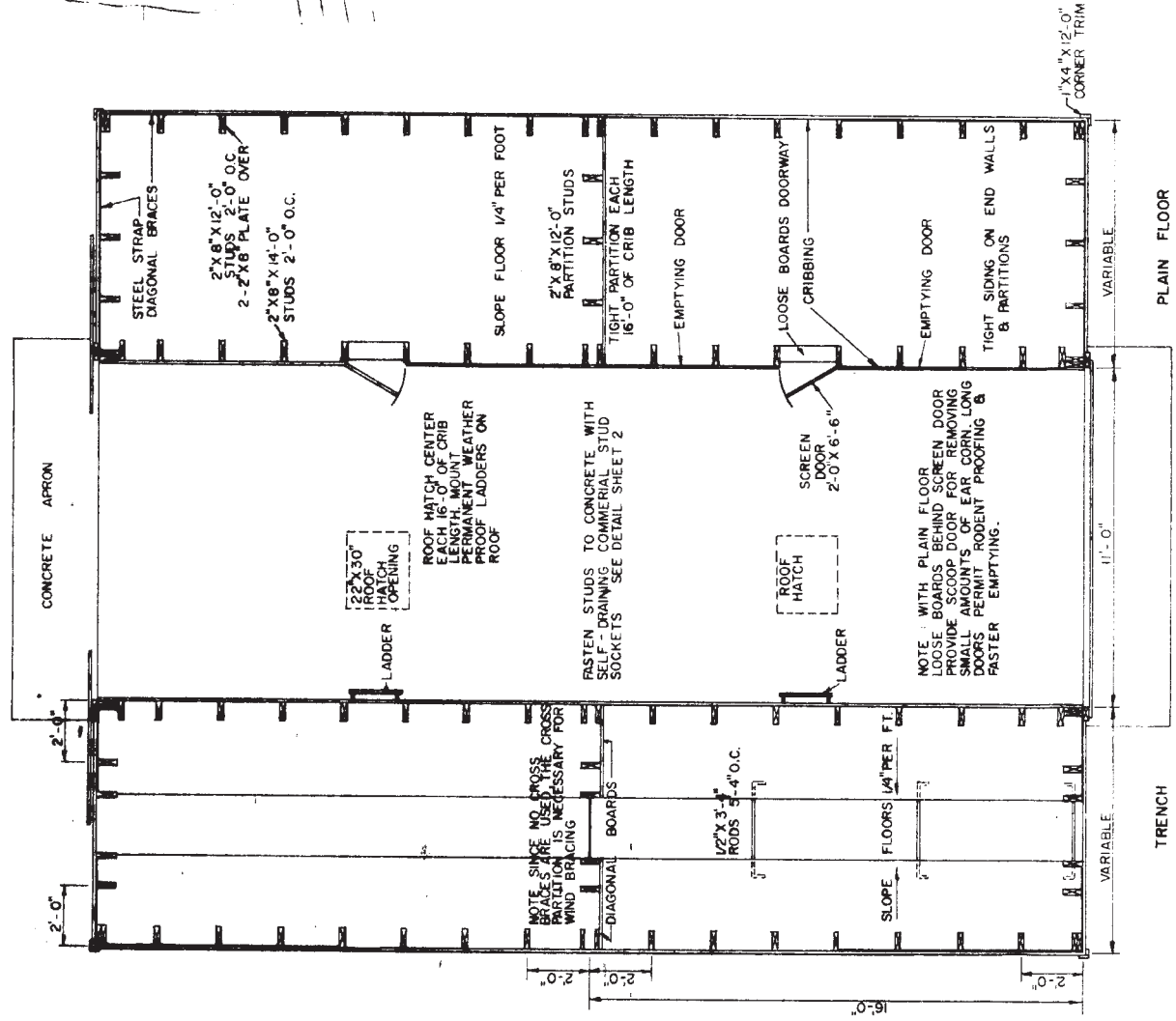
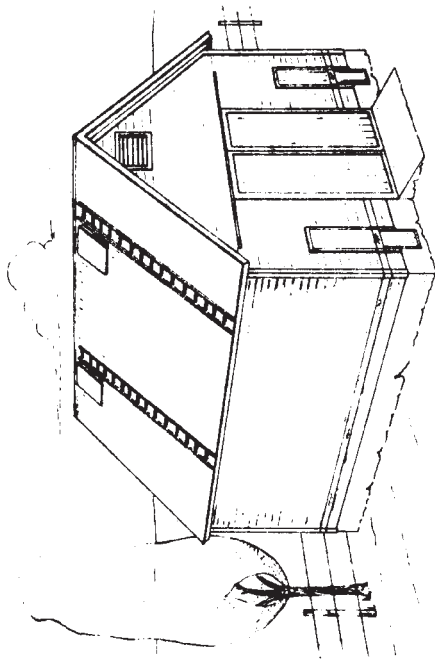
CAUTION!

Additional professional services will be required to tailor this plan to your situation, including but not limited to: assurance of compliance with codes and regulations; review of specifications for materials and equipment; supervision of site selection, bid letting and construction; and provision for utilities, waste management, roads or other access. **Furthermore, any deviation from the given specifications may result in structural failure, property damage, and personal injury including loss of life.**

WARRANTY DISCLAIMER

This plan provides conceptual information only. **Neither midwest plan service nor any of the cooperating land-grant universities, or their respective agents or employees, have made, and do not hereby make, any representation, warranty or covenant with respect to the specifications in this plan.** Additional professional services will be required to tailor this plan to your situation, including but not limited to: assurance of compliance with codes and regulations; review of specifications for materials and equipment; supervision of site selection, bid letting and construction; and provision for utilities, waste management, roads or other access.

MIDWEST PLAN SERVICE
Cooperative Extension Work in Agriculture and Home Economics and Agricultural Experiment Stations of North Central Region - USDA Cooperating
Double Corn Crib 11' Alley
Title Page
MIDWEST PLAN NO. 73282



NOTES

IN AREAS WHERE FROST HEAVING IS KNOWN TO BE PREVALENT, EXTEND FOUNDATIONS BELOW FROST.

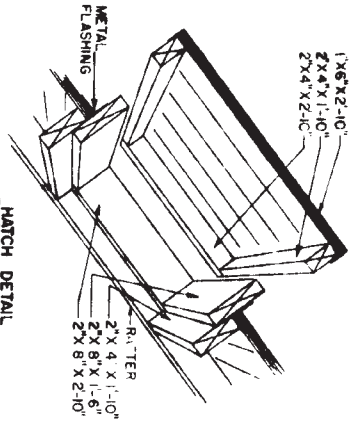
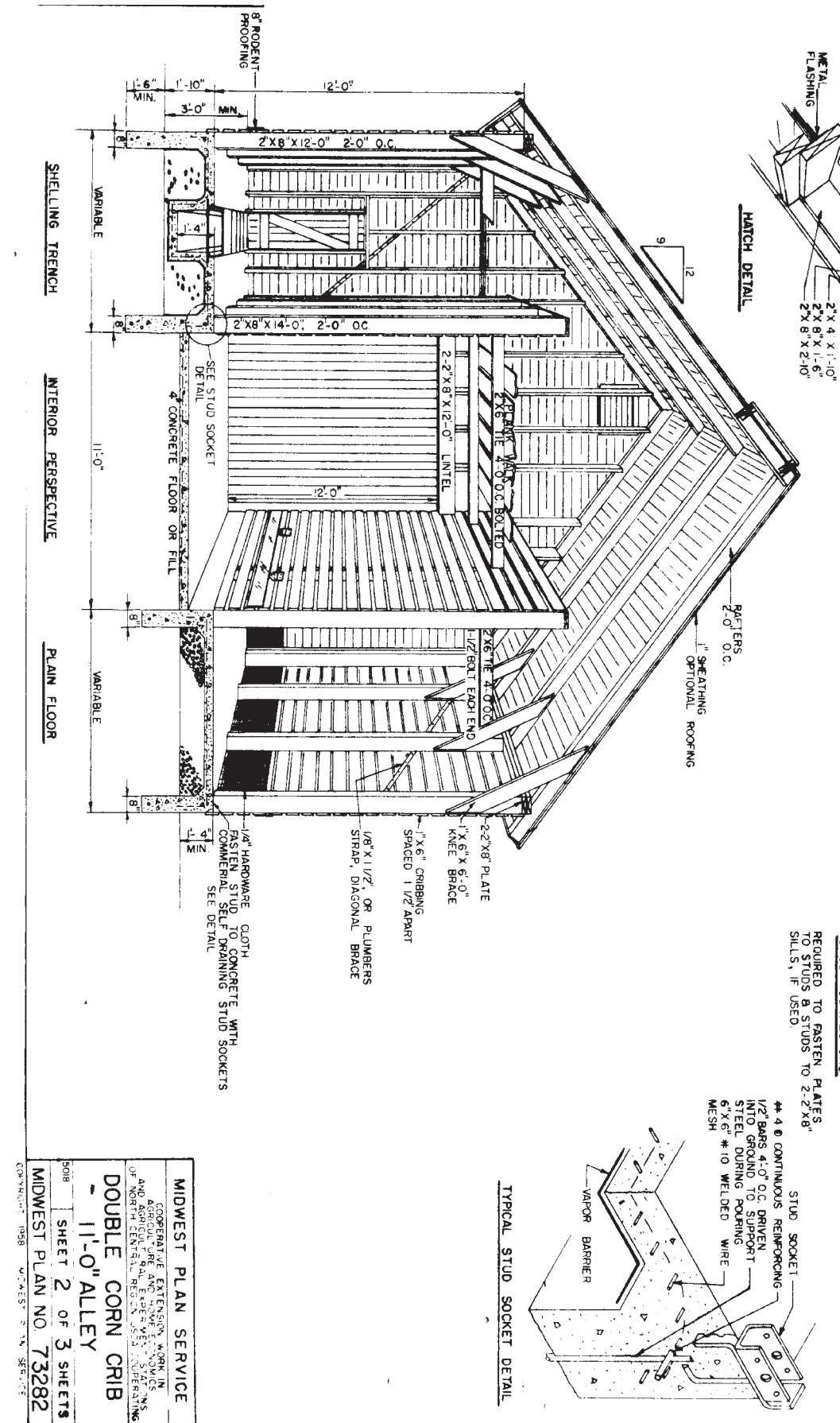
FLOORS: LAY 5/8" ROLL ROOFING, 6 MIL PLASTIC, OR EMULSION, OVER EXIST. SAND, OR DRAINED GRAVEL. FILL: FOUR 4" CONCRETE FLOORS WITH 0" X 6" #10 REBAR. TOP MESH. SLOPE FLOOR 1/4" PER FT.

FASTEN STUDS TO CONCRETE WITH SELF-DRAINING COMMERCIAL STUD SOCKETS.

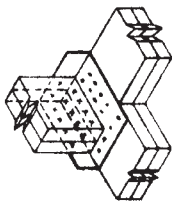
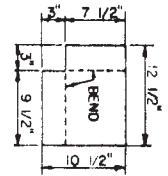
ROOF: ROOFING: 3/4" HARDWARE CLOTH HERRSEN STUDS. PARTITION STUDS TO BE SET IN ROOF BRIMS. ROOF BOARD: PLACE 4" X 4" METAL STRIP CONTIGUOUS AROUND BUILDING. MAINTAIN A ROBERT CO. TRAIL PROGRAM.

MIDWEST PLAN SERVICE	
COOPERATIVE EXTENSION WORK IN AGRICULTURE AND HOME ECONOMICS AND AGRICULTURAL MECHANICS OF NORTH CENTRAL REGION, U.S.D.A. COOPERATING	
DOUBLE CORN CRIB	
11'-0" ALLEY	
S06	SHEET 1 OF 3 SHEETS
MIDWEST PLAN NO. 73282	
COPYRIGHT 1958 MIDWEST PLAN SERVICE	

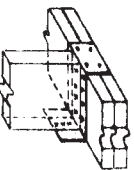
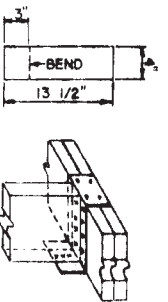
PLAIN FLOOR
SCALE: 1/4" = 1'-0"



CORNER CONNECTOR



STUD CONNECTOR



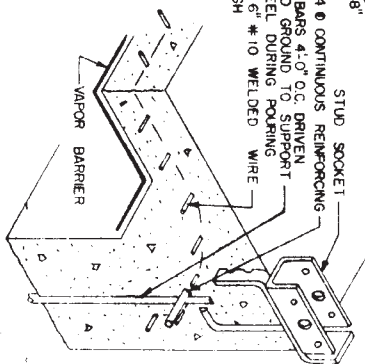
NOTE: BEND CONNECTORS AT RIGHT ANGLES AS SHOWN. NAIL TO UPPER END & OUTSIDE EDGE OF STUD AS SHOWN BY X'S; NAIL CONNECTORS TO PLATE AS SHOWN BY DOTS.

REQUIRED TO FASTEN PLATES TO STUDS & STUDS TO 2-2" X 8" SKILLS, IF USED.

STUD CONNECTORS

** 4 @ CONTINUOUS REINFORCING 1/2" BARS 4'-0" O.C. DRIVEN INTO GROUND TO SUPPORT STEEL DURING POURING. 6" X 6" #10 WELDED WIRE MESH.

TYPICAL STUD SOCKET DETAIL



MIDWEST PLAN SERVICE		
COOPERATIVE EXTENSION WORK IN AGRICULTURE AND HOME ECONOMICS NORTH CENTRAL REGION U.S. DEPARTMENT OF AGRICULTURE WASHINGTON, D.C.		
DOUBLE CORN CRIB		
11'-0" ALLEY		
5018	SHEET 2 OF 3 SHEETS	
MIDWEST PLAN NO. 73282		

Copyright 1958, Wm. H. & A. S. Service

(2' LAYERS - BRAG WIDTHS - ALLEY BEAVES)

ITEM	CRIB STUDS				DESCRIPTION
	6'	7'	9'	12'	
CAPACITY	2000	2350	2660	3320	NO. FT. OF LENGTH
FLOORS & FOOTING					
CONCRETE	13	20	25	35	CU. YDS.
WATER PROOFING	60	70	75	90	SQ. FT. 1/4" ROC
REINFORCING	155	175	190	230	LN. FT. 5/8" #10 MESH
	560	650	710	880	SQ. FT. 5/8" #10 MESH
FRAMING					
STUDS	60-12'	70-12'	80-12'	90-12'	2"x6"
	20-12'	25-12'	30-12'	35-12'	2"x6"
	15-12'	18-12'	22-12'	28-12'	2"x6"
TEES	15-12'	18-12'	22-12'	28-12'	2"x6"
	14-12'	17-12'	21-12'	27-12'	2"x6"
	13-12'	16-12'	20-12'	26-12'	2"x6"
LINTEL	4-12'	5-12'	6-12'	8-12'	2"x6"
PLATE	12-12'	15-12'	18-12'	22-12'	2"x6"
	12-12'	15-12'	18-12'	22-12'	2"x6"
RAFTERS	34-15'	34-12'	34-10'	34-20'	1 1/2"x6"
					1 1/2"x6"
PASZIA	4-15'	4-12'	4-10'	4-20'	1 1/2"x6"
					1 1/2"x6"
BRACING	130	130	130	130	LN. FT. 1/8" x 4" 1" 2" OR
KNEE BRACES	12-12'	12-12'	12-12'	12-12'	FLUNGERS, STEEL
1"x6"					1"x6"
SIDING					
CRIBLING	176-16'	176-16'	176-16'	176-16'	1"x6"
MATCH SIDING	110-12'	80-12'	90-12'	120-12'	1"x6"
KALEXY	10-12'	10-12'	10-12'	10-12'	1"x6"
ROOFING					
SHEATHING					
BATTENS (L)					
DOORS (+)					
RODENT PROOFING					
SHEET METAL	184	152	156	196	LN. FT. 8"x8" GAGE
HARDWARE CLOTH	152	156	160	164	LN. FT. 1/4"x2"
HARDWARE					
HINGES	12	12	12	12	5" STRAP
BLANKS	4	4	4	4	PAIRS, ROLLING DOOR
TRACK	24	24	24	24	LN. FT. ROLLING DOOR
M. BOLTS & WASHERS	54	54	54	54	1/2"x4"
STUD SOCKETS	86	92	92	98	
* CONNECTORS	78	88	92	98	4"x13 1/2"x22 GAGE
	8	8	8	8	10 1/2"x12 1/2"x22 GAGE

MIDWEST PLAN SERVICE
 COOPERATIVE EXTENSION WORK IN
 AGRICULTURE AND HOME ECONOMICS
 NORTH CENTRAL REGION USDA COOPERATING
DOUBLE CORN CRIB
11'-0" ALLEY
 SHEET 3 OF 3 SHEETS
 MIDWEST PLAN NO. 73282
 COPYRIGHT 1958 MIDWEST PLAN SERVICE

